

# Trailed Sprayers

# BEYNE



## **Company**

Beyne was founded in 1974 by Marcel Beyne and has been known for more than 40 years for its quality and durability. All Beyne agricultural sprayers are tailored to the specific needs and wishes of our customers.

Our company is in full expansion and has its focus on the latest developments in the field of mounted, trailed and self propelled sprayers. We are constantly looking to improve through new designs, advanced materials and more efficient production methods. We follow the latest technologies and innovations, such as GPS and other instruments for accurate farming, provided by Müller Elektronik.

Our experienced staff are happy to advise & help you in the selection of the appropriate sprayer for your business. Do not hesitate to contact us if you have any questions or require further information.

## **Our trailed sprayers**

This catalog offers you a summary of our trailed sprayers: ranging from 2.500 liters to 6.000 liters with a spray boom width of 21 m to 45 m.

**Beyne NV • Industriestraat 27 • 8480 Ichtegem • Belgium**  
**Tel +32 (0)51-58.85.34 • Fax +32 (0)51-58.21.73**  
**[www.beyne.com](http://www.beyne.com) • [info@beyne.be](mailto:info@beyne.be)**





## Content

|  |       |
|--|-------|
| Summary of trailed sprayers .....  | 4-7   |
| PLK super hydraulic trailed (21-40 m / 2.500-3.500-4.200 l) .....                      | 8-13  |
| COBRA super hydraulic trailed (21-33 m / 3.500 l) .....                                | 14-19 |
| PYTHON super hydraulic trailed (24-45 m / 2.500-3.000-3.600-4.200-5.200-6.000 l) ..... | 20-27 |
| Beyne paint quality .....  | 28-29 |
| SPRAY-Control S .....  | 30    |
| SECTION-Control BOX .....  | 30    |
| TRACK-Guide II .....   | 31    |
| TRACK-Guide III .....  | 31    |
| BASIC-Terminal .....   | 32    |
| COMFORT-Terminal .....   | 32    |
| Multi-functional joystick .....  | 32    |
| Touch screen: Touch 800 .....  | 33    |
| Touch screen: Touch 1200 .....   | 33    |
| Distance Control .....   | 34    |
| Manual command of the spray sections (S-box) .....                                     | 34    |
| Automatic section control via satellite .....  | 34    |
| Automatic steering .....   | 35    |
| Air lockable caps with semi-continuous circulation .....                               | 36-37 |
| Top Control .....  | 37    |
| Vario Select .....   | 38    |
| Meteo station .....  | 39    |
| Suspension Beyne spray boom .....  | 40    |
| Struts & locking hooks .....   | 41    |
| Aluminium-steel spray boom (36-39-40-42 m) .....                                       | 43    |
| Tracking: proportional steering, wheel steering, drawbar .....                         | 44    |
| Automatic axle and drawbar suspension .....  | 45    |
| Technical information: dimensions & weights .....                                      | 46    |
| Spray booms of trailed sprayers .....  | 47    |



PLK 21-30 m / 2.500-3.500 l



PLK 27 m / 2.500 l

PLK 30-40 m / 3.500-4.200 l

# PLK



PLK 33 m / 3.500 l



**COBRA 21-30 m / 3.500 l**



COBRA 27 m / 3.500 l

**COBRA 30-33 m / 3.500 l**

*Cobra*



COBRA 33 m / 3.500 l

**BEYNE**

**PYTHON 24-33 m / 2.500-3000 l**



**PYTHON 27 m / 3000 l**

**PYTHON 30-45 m / 5.200-6.000 l**



**PYTHON 40 m / 6.000 l**



PYTHON 24-45 m / 3.600-4.200 l



PYTHON 36 m / 4.200 l



BEYNE







# PLK







Convenient winder for storage of the suction hose (6-8 m), manually retractable.



Accessible manhole with barrel cleaner for cleaning containers; easy to operate by corresponding pressure regulator.



Automatic track following by means of a hydraulic drawbar with 2 cylinders.



Easy to set control of steering via the adjustable handle bar (fully mechanical transmission).



Manhole with easily accessible platform for storing chemicals.



Large capacity mixing tank adjacent to the panel; also possible to easily mix in chemical powders.



Automatic track following by means of the hydraulic drawbar, to be operated manually or via automatic zeroing.



Robust stairs: easy to enter, simple to fold, takes up limited space.





Stirring in the bottom of the tank: to avoid foaming; ability to control tiller or to turn off completely.



V-block of the spray boom: thanks to the conductors, the boom is centered when fully lifted and folds easily.



All elements of the boom are locked thanks to the adjustable hooks, which reduces yaw to a minimum.



Thanks to the damping of the silent blocks, the yaw is collected. This ensures that the spray boom remains stable at all times.

# PLK



The hydropneumatic suspension is automatically placed so that the cylinders have the maximum result. Mounted on a rigid frame to avoid any rolling movement.



Highly visible digital tank level indicator; displays the correct fuel level. Optional: programmable, so you can always fill to the desired tank level.



SPRAY-Control S: robust control box with spray computer for complete control of the machine. Possibility of coupling automatic section control via GPS.





## PLK 21-30 m / 2.500-3.500 l

|                       |   |
|-----------------------|---|
| Spray boom width      | 21 m / 24 m / 27 m / 28 m / 30 m  |
| Spray boom            | Fully hydraulic opening and closing of the spray boom, 7 to 18 sections   |
| Suspension spray boom | Self-stabilizing swing frame, suspension spray boom on independent moving frame (anti-swaysystem), suspension spray boom via nitrogen accumulator |
| Tank                  | 2.500 l / 3.500 l (with a reserve of 5% for foam) with electronic tank level meter  |
| Pump                  | 260 l/min, optional: 300 l/min  |
| Command               | With preselection or completely electrohydraulic  |
| Spray computer        | SPRAY-Control S, Optional: ECO / ISOBUS   |
| Spray circuit         | Closed flushing system for the spray lines for easy cleaning  |
| Spray caps            | Penta-jets with anti-drip or air lockable caps  |
| Mixing tank           | Hingeable mixing tank on the side with fust cleaner   |
| Filters               | 2 Suction filters and self cleaning pressure filter   |
| Manometer             | Large manometer with glycerine  |
| Track following       | Tiller steering: automatic track following and centering<br>Optional: proportional steering (only with ISOBUS or ECO) or no steering              |
| Track width           | Track width between 1,50 m and 2,25 m; Optional: second option track width.<br>Braked axle; Optional: retractable axle                            |
| Suspension            | Optional: automatic suspension on nitrogen accumulator  |
| Options               | Variable geometry, automatic section control, Top-Control, air brakes, hydraulic group, hydraulic support base, load-sensing, camera, GPS, etc.   |
| Lighting              | Road lights (LED) + signalisation, flashing beacon (LED), work lights (LED, Optional: LED Trilliant)  |
| Paint quality         | Sandblasted, metallised and powder coated (heated to 220 °)   |
| Clean water tank      | 250 l (2.500 l) of 420 l (3.500 l)  |
| Hand wash tank        | 20 l  |
| Suction hose          | 8 m   |
| Length                | 6,1 m - 6,7 m   |
| Width                 | 2,55 m - 2,60 m   |
| Height                | 3,5 m - 3,6 m   |
| Weight                | 3.250 kg - 3.530 kg   |



## PLK 30-40 m / 3.500-4.200 l

|                       |   |
|-----------------------|---|
| Spray boom width      | 30 m / 32 m / 33 m / 36 m / 39 m / 40 m   |
| Spray boom            | Fully hydraulic opening and closing of the spray boom, 7 to 18 sections   |
| Suspension spray boom | Self-stabilizing swing frame, suspension spray boom on independent moving frame (anti-swaysystem), suspension spray boom via nitrogen accumulator |
| Tank                  | 3.500 l / 4.200 l (with a reserve of 5% for foam) with electronic tank level meter  |
| Pump                  | 260 l/min, optional: 300 l/min  |
| Command               | With preselection or completely electrohydraulic  |
| Spray computer        | ISOBUS with touch screen TOUCH 800<br>Optional: SPRAY-Control S / ECO   |
| Spray circuit         | Closed flushing system for the spray lines for easy cleaning  |
| Spray caps            | Penta-jets with anti-drip or air lockable caps  |
| Mixing tank           | Hingeable mixing tank on the side with fust cleaner   |
| Filters               | 2 Suction filters and self cleaning pressure filter   |
| Manometer             | Large manometer with glycerine  |
| Track following       | Tiller steering: automatic track following and centering<br>Optional: proportional steering (only with ISOBUS or ECO) or no steering              |
| Track width           | Track width between 1,50 m and 2,25 m; Optional: second option track width.<br>Braked axle; Optional: retractable axle                            |
| Suspension            | Optional: automatic suspension on nitrogen accumulator  |
| Options               | Variable geometry, automatic section control, Top-Control, air brakes, hydraulic group, hydraulic support base, load-sensing, camera, GPS, etc.   |
| Lighting              | Road lights (LED) + signalisation, flashing beacon (LED), work lights (LED, Optional: LED Trilliant)  |
| Paint quality         | Sandblasted, metallised and powder coated (heated to 220 °)   |
| Clean water tank      | 420 l   |
| Hand wash tank        | 20 l  |
| Suction hose          | 8 m   |
| Length                | 7,2 - 8,7 m   |
| Width                 | 2,55 m - 2,80 m   |
| Height                | 3,5 m - 3,6 m   |
| Weight                | 4.600 kg - 5.350 kg   |









*Cobra*







Accessible manhole with barrel cleaner for cleaning containers; easy to operate by means of corresponding pressure regulator.



Accessible pumps so that maintenance can be performed easily.



Uncomplicated control box: easy to control all functions. In option also electrical from within the cabin.



Large capacity mixing tank next to control box; also possible to easily mix in powdery chemicals.



Convenient winder for storage of the suction hose (6-8 m), manually retractable.



Hose reel with 20 m spray lance; to spray the machine completely clean with high pressure (10 bar).



Robust stairs: easy to enter, simple to fold, takes up limited floor space.



Automatic track following by means of the hydraulic drawbar, to be operated manually or via automatic zeroing.





V-block of the spray boom: thanks to the conductors, the boom is centered when fully lifted and folds easily.



All elements of the boom are locked thanks to the adjustable hooks, which reduces yaw to a minimum.



For the maximum reduction of residual liquid, there is a double sloped level under the tank.



The hydropneumatic suspension is placed automatically so the cylinders have the maximum result. Mounted on a rigid frame to avoid any rolling movement.

# Cobra



Manhole with easily accessible platform for storing chemicals.



Thanks to the damping of the silent blocks, the yaw is collected. This ensures that the spray boom remains stable always.



Highly visible digital tank level indicator; displays the correct fuel level. In option: programmable, so you can always fill to the desired tank level.



TRACK-Guide III





## COBRA 21-30 m / 3.500 l

|                       |   |
|-----------------------|---|
| Spray boom width      | 21 m / 24 m / 27 m / 28 m / 30 m  |
| Spray boom            | Fully hydraulic opening and closing of the spray boom, 7 to 18 sections   |
| Suspension spray boom | Self-stabilizing swing frame, suspension spray boom on independent moving frame (anti-swaysystem), suspension spray boom via nitrogen accumulator |
| Tank                  | 3.500 l (with a reserve of 5% for foam) with electronic tank level meter  |
| Pump                  | 260 l/min, optional: 300 l/min  |
| Command               | With preselection or completely electrohydraulic  |
| Spray computer        | SPRAY-Control S, Optional: ECO / ISOBUS   |
| Spray circuit         | Closed flushing system for the spray lines for easy cleaning  |
| Spray caps            | Penta-jets with anti-drip or air lockable caps  |
| Mixing tank           | Hingeable mixing tank on the side with fust cleaner   |
| Filters               | 1 Suction filter and self cleaning pressure filter  |
| Manometer             | Large manometer with glycerine  |
| Track following       | Tiller steering: automatic track following and centering<br>Optional: proportional steering (only with ISOBUS or ECO) or no steering              |
| Track width           | Track width between 1,50 m and 2,25 m; Optional: second option track width.<br>Hydraulically braked axle.   |
| Suspension            | Optional: automatic suspension on nitrogen accumulator  |
| Options               | Variable geometry, automatic section control, Top-Control, air brakes, hydraulic group, hydraulic support base, load-sensing, camera, GPS, etc.   |
| Lighting              | Road lights (LED) + signalisation, flashing beacon (LED), work lights (LED, Optional: LED Trilliant)  |
| Paint quality         | Sandblasted, metallised and powder coated (heated to 220 °)   |
| Clean water tank      | 350 l   |
| Hand wash tank        | 60 l  |
| Suction hose          | 8 m   |
| Length                | 6,75 m - 6,95 m   |
| Width                 | 2,55 m - 2,60 m   |
| Height                | 3,7 m - 3,8 m   |
| Weight                | 3.670 kg - 3.800  |



## COBRA 30-33 m / 3.500 l

|                       |   |
|-----------------------|---|
| Spray boom width      | 30 m / 32 m / 33 m  |
| Spray boom            | Fully hydraulic opening and closing of the spray boom, 7 to 18 sections   |
| Suspension spray boom | Self-stabilizing swing frame, suspension spray boom on independent moving frame (anti-swaysystem), suspension spray boom via nitrogen accumulator |
| Tank                  | 3.500 l (with a reserve of 5% for foam) with electronic tank level meter  |
| Pump                  | 260 l/min, optional: 300 l/min  |
| Command               | With preselection or completely electrohydraulic  |
| Spray computer        | ISOBUS with touch screen TOUCH 800<br>Optional: SPRAY-Control S / ECO   |
| Spray circuit         | Closed flushing system for the spray lines for easy cleaning  |
| Spray caps            | Penta-jets with anti-drip or air lockable caps  |
| Mixing tank           | Hingeable mixing tank on the side with fust cleaner   |
| Filters               | 1 Suction filter and self cleaning pressure filter  |
| Manometer             | Large manometer with glycerine  |
| Track following       | Tiller steering: automatic track following and centering<br>Optional: proportional steering (only with ISOBUS or ECO) or no steering              |
| Track width           | Track width between 1,80 m en 2,25 m; in option second option track width.<br>Hydraulically braked axle.  |
| Suspension            | Optional: automatic suspension on nitrogen accumulator  |
| Options               | Variable geometry, automatic section control, Top-Control, air brakes, hydraulic group, hydraulic support base, load-sensing, camera, GPS, etc.   |
| Lighting              | Road lights (LED) + signalisation, flashing beacon (LED), work lights (LED, Optional: LED Trilliant)  |
| Paint quality         | Sandblasted, metallised and powder coated (heated to 220 °)   |
| Clean water tank      | 350 l   |
| Hand wash tank        | 60 l  |
| Suction hose          | 8 m   |
| Length                | 7 m   |
| Width                 | 2,75 m  |
| Height                | 3,9 m   |
| Weight                | 4.400 kg  |









  
Yutong







Highly visible digital tank level indicator; displays the correct fuel level. Optional: programmable, so you can always fill to the desired tank level.



Accessible manhole with barrel cleaner for cleaning containers; easy to operate thanks to corresponding pressure regulator.



Air lockable caps.



Compressor after pump.



Hydraulic drawbar suspension on nitrogen accumulator



Easily accessible handpump for support base.



Convenient winder for storage of the suction hose (6-8 m), manually retractable. Easily accessible platform for storing chemicals.



Air reservoir.



Uncomplicated control box: easy to control all functions. In option: electrical from within the cabin.



No drawbar suspension.



Hydraulic support base: automatically retracts; can be operated by a hand pump or directly onto the tractor.



Thanks to the high-pressure mixing valve at the bottom of the mixing tank, a vortex is created, which makes it possible to easily mix chemicals in powder form.



Work Lights LED Trilliant: headlights with a concentrated beam so that the entire spray boom is illuminated. Even with large widths.





Stirring in the bottom of the tank: to avoid foaming; ability to control intensity or to turn off completely.



All elements of the boom are locked into place thanks to the adjustable hooks, which reduces yaw to a minimum.



Thanks to the damping of the silent blocks, the yaw is collected. This ensures that the spray boom remains stable always.



The hydro-pneumatic suspension is placed automatically so the cylinders have the maximum result. Mounted on a rigid frame to avoid any rolling movement.



The automatic wheel steering is proportionally controlled so the wheels smoothly follow the trail of the tractor.



No suspension.



With the Python, the spray boom is suspended by a parallelogram which is hydro-pneumatically suspended, allowing the spray boom and spray pattern to remain optimal.



Variable geometry so that the slope of either the left- or right-hand part of the spray boom can be operated separately (not negative).





## PYTHON 24-33 m / 2.500-3000 l

|                       |   |
|-----------------------|---|
| Spray boom width      | 24 m / 27 m / 28 m / 30 m / 32 m / 33 m   |
| Spray boom            | Fully hydraulic opening and closing of the spray boom, 7 to 18 sections   |
| Suspension spray boom | Self-stabilizing swing frame, suspension spray boom on independent moving frame (anti-swaysystem), suspension spray boom via nitrogen accumulator |
| Tank                  | 2.500 l / 3.000 l (with a reserve of 5% for foam) with electronic tank level meter  |
| Pump                  | 24-30 m: 270 l/min, optional: 400 l/min<br>30-33 m: 400 l/min, optional: 270 l/min  |
| Command               | Fully electrohydraulic  |
| Spray computer        | ISOBUS with touch screen TOUCH 800<br>Optional: SPRAY-Control S / ECO   |
| Spray circuit         | Closed flushing system for the spray lines for easy cleaning  |
| Spray caps            | Penta-jets with anti-drip or air lockable caps  |
| Mixing tank           | Hingeable mixing tank on the side with fust cleaner   |
| Filters               | 1 Suction filter and self cleaning pressure filter  |
| Manometer             | Large manometer with glycerine  |
| Track following       | Proportional wheel steering; automatic track following and centering (also possible without steering)   |
| Track width           | Track width between 1,50 m and 2,25 m (1,50 m is possible with fixed axle)<br>Optional: second option track width. Hydraulically braked axle.     |
| Suspension            | Optional: automatic suspension on the wheel axle, tiller suspension   |
| Options               | Variable geometry, automatic section control, Top-Control, air brakes, hydraulic group, hydraulic support base, load-sensing, camera, GPS, etc.   |
| Lighting              | Road lights (LED) + signalisation, flashing beacon (LED), work lights (LED, Optional: LED Trilliant)  |
| Paint quality         | Sandblasted, metallised and powder coated (heated to 220 °)   |
| Clean water tank      | 300 l   |
| Hand wash tank        | 20 l  |
| Suction hose          | 8 m   |
| Length                | 7,85 m  |
| Width                 | 2,55 m - 2,75   |
| Height                | 3,35 m - 3,65 m   |
| Weight                | 4.400 kg - 4.700 kg   |



# PYTHON 24-45 m / 3.600-4.200 l

|                       |   |
|-----------------------|---|
| Spray boom width      | 24 m / 27 m / 28 m / 30 m / 32 m / 33 m / 36 m / 39 m / 40 m / 42 m / 45 m  |
| Spray boom            | Fully hydraulic opening and closing of the spray boom, 7 to 18 sections   |
| Suspension spray boom | Self-stabilizing swing frame, suspension spray boom on independent moving frame (anti-swaysystem), suspension spray boom via nitrogen accumulator |
| Tank                  | 3.600 l / 4.200 l (with a reserve of 5% for foam) with electronic tank level meter  |
| Pump                  | 24-30 m: 270 l/min, optional: 400 l/min<br>30-45 m : 400 l/min, optional: 270 l/min   |
| Command               | Fully electrohydraulic  |
| Spray computer        | ISOBUS with touch screen TOUCH 800<br>Optional: SPRAY-Control S / ECO   |
| Spray circuit         | Closed flushing system for the spray lines for easy cleaning  |
| Spray caps            | Penta-jets with anti-drip or air lockable caps  |
| Mixing tank           | Hingeable mixing tank on the side with fust cleaner   |
| Filters               | 1 Suction filter and self cleaning pressure filter  |
| Manometer             | Large manometer with glycerine  |
| Track following       | Proportional wheel steering; automatic track following and centering (also possible without steering)   |
| Track width           | Track width between 1,50 m and 2,25 m (1,50 m is possible with fixed axle)<br>Optional: second option track width. Hydraulically braked axle.     |
| Suspension            | Optional: automatic suspension on the wheel axle, tiller suspension   |
| Options               | Variable geometry, automatic section control, Top-Control, air brakes, hydraulic group, hydraulic support base, load-sensing, camera, GPS, etc.   |
| Lighting              | Road lights (LED) + signalisation, flashing beacon (LED), work lights (LED, Optional: LED Trilliant)  |
| Paint quality         | Sandblasted, metallised and powder coated (heated to 220 °)   |
| Clean water tank      | 420 l   |
| Hand wash tank        | 20 l  |
| Suction hose          | 8 m   |
| Length                | 8,15 m  |
| Width                 | 2,55 m - 2,8 m  |
| Height                | 3,55 m - 3,65 m   |
| Weight                | 4550 kg - 5.250 kg  |





## PYTHON 30-45 m / 5.200-6.000 l

|                       |   |
|-----------------------|---|
| Spray boom width      | 30 m / 32 m / 33 m / 36 m / 39 m / 40 m / 42 m / 45 m   |
| Spray boom            | Fully hydraulic opening and closing of the spray boom, 7 to 18 sections   |
| Suspension spray boom | Self-stabilizing swing frame, suspension spray boom on independent moving frame (anti-swaysystem), suspension spray boom via nitrogen accumulator |
| Tank                  | 5.200 l / 6.000 l (with a reserve of 5% for foam) with electronic tank level meter  |
| Pump                  | 400 l/min, optional: 270 l/min  |
| Control               | Fully electrohydraulic  |
| Spray computer        | ISOBUS with touch screen TOUCH 800<br>Optional: SPRAY-Control S / ECO   |
| Spray circuit         | Closed flushing system for the spray lines for easy cleaning  |
| Spray caps            | Penta-jets with anti-drip or air lockable caps  |
| Mixing tank           | Hingeable mixing tank on the side with fust cleaner   |
| Filters               | 1 Suction filter and self cleaning pressure filter  |
| Manometer             | Large manometer with glycerine  |
| Track following       | Proportional wheel steering; automatic track following and centering (also possible without steering)   |
| Track width           | Track width between 1,50 m and 2,25 m (1,50 m is possible with fixed axle)<br>Optional: second option track width. Hydraulically braked axle.     |
| Suspension            | Optional: automatic suspension on the wheel axle, tiller suspension   |
| Options               | Variable geometry, automatic section control, Top-Control, air brakes, hydraulic group, hydraulic support base, load-sensing, camera, GPS, etc.   |
| Lighting              | Road lights (LED) + signalisation, flashing beacon (LED), work lights (LED, Optional: LED Trilliant)  |
| Paint quality         | Sandblasted, metallised and powder coated (heated to 220 °)   |
| Clean water tank      | 600 l   |
| Hand wash tank        | 20 l  |
| Suction hose          | 8 m   |
| Length                | 8,90 m  |
| Width                 | 2,75 m - 2,8 m  |
| Height                | 3,55 m - 3,65 m   |
| Weight                | 5.150 kg - 5.550 kg   |

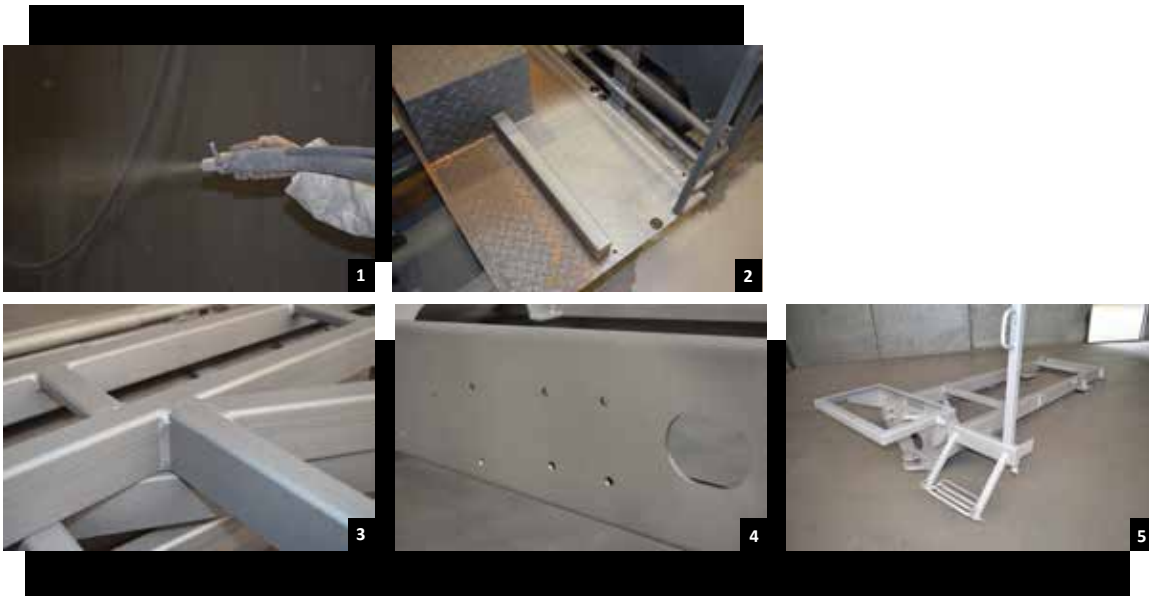








# BEYNE PAINT QUALITY



Blank steel

All metal parts are treated by a special procedure to obtain an outstanding paint quality.

## 1. Sandblasting

The parts are first sandblasted to remove the rust and to make sure that the bedding is uneven to guarantee an optimum adhesion of the metallisation and the powder coating. The parts are metallised immediately after the sandblasting.

Sandblasted



Zinc wire 85% zinc

## 2. Metallisation:

The zinc wire, consisting of 85% zinc and 15% aluminium, is sprayed onto the blank metal at a temperature of 1900°C. This creates a layer of at least 40 µm which covers the whole part. This zinc layer prevents the appearance of rust. In case of a scratch, the paint won't peel off, thanks to the high adhesion of the zinc layer to the metal.



Metallisation



Metallisation



Minimal thickness of 40 µm



Powder Coating





### 3. Powder coating:

The parts are then suspended and positively charged. The powder is negatively charged and sprayed onto the metal, which results in an even distribution, ensuring the powder also covers hard-to-reach areas.



The coating is at least 120  $\mu\text{m}$  thick. Together with the metallisation, this provides a layer thickness of at least 160  $\mu\text{m}$ .



### 4. Baking

The parts are then baked in an oven of 215°C. This procedure ensures that we achieve a very high paint quality which is also resistant to liquid fertilisers.



# SPRAY COMPUTERS

## SPRAY-Control S



- Robust control panel + spray computer for full control of the machine.
- Both with preselection as electrohydraulic.
- All spray sections can be turned on and off via a separate switch.
- Desired spray rate can be easily entered.
- Unlimited amount of hydraulic functions.
- Maximum 12 sections + electrical side caps.
- Electric flushing valves possible.
- Air lockable spray caps possible.
- Ability to link with GPS TRACK-Guide II or III, optionally with automatic section control.



TRACK-Guide II



TRACK-Guide III

## SECTION-Control Box

### Automatic section control in combination with SPRAY-Control S.

The SECTION-Control Box allows us to equip agricultural sprayers that already have SPRAY-Control S, with automatic section control via GPS. Besides the SECTION-Control Box, you will also need a TRACK-Guide II or III.

The equipment afterwards is simple and very comfortable, thanks to the “plug and play” principle. Simply connect the SECTION-Control box between your control panel and the TRACK-Guide II, provide a power cable and you are ready! The terminal takes over further control. You continue to do the control of the hydraulic functions via the existing control panel. With the SECTION-Control Box and the TRACK-Guide II, you have many expansion possibilities, so you are ensured of a machine that remains up to date in the future.



TRACK-Guide II



TRACK-Guide III





## TRACK-Guide II

The TRACK-Guide II is a very powerful terminal for guidance systems, simple to use and truly robust. This terminal is almost indispensable for all your work on the field.

The TRACK-Guide II can be upgraded thanks to new software and a powerful electronic architecture.

Thanks to the upgrade-possibilities of the software, you have a terminal that always meets your needs and/or your new machines.

The TRACK-Guide II can also function as an ISOBUS terminal (ISO 11783), via an additional license.

Additional options are: automatic section control (sprayer), headland management, variable dosage of the spray liquid.



## TRACK-Guide III - Touch screen

More than a guidance system!

The TRACK-Guide III is a guidance system of the latest generation, equipped with a touch screen that delivers a clear picture with a great ease of use.

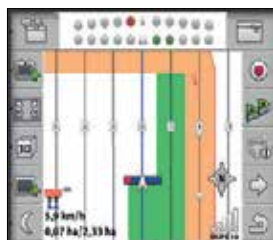
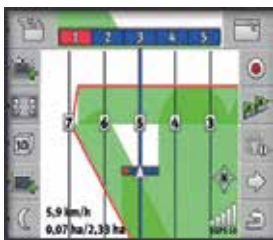
The TRACK-Guide III can be upgraded with several options. You can equip it with automatic steering or transform it into an ISOBUS terminal with multiple functions and with SECTION-Control. Thanks to the upgrade-possibilities of the software, you now have a terminal that always meets your needs and/or your new machines.

Additional Options are: automatic section control (sprayer), automatic steering (hydraulic or on the steering wheel), headland management, variable dosage of the chemicals.

Verbinding met camera mogelijk.



The TRACK-Guide II and the TRACK-Guide III are user-friendly systems that assist you in any type of field. You can save the contours of the field, the driving routes and enter obstacles. You can give a name to the fields and equipment you use. The work process can be interrupted & saved at any time, allowing you to continue spraying where you left off. The machine is displayed in the main window with a line and an arrow. In the upper part of the screen you can view the sections, the machine or the lightbar. It shows you when to open a section (blue) or when to close it (red), this is the SECTION-View function. The sprayed and unsprayed land is clearly visible. The headland management option allows you to treat the headland separately. You can adjust the track yourself. Try these GPS's and you'll be surprised by its efficiency and ease of use.







### **BASIC-Terminal (15cm)**

- High quality ISOBUS-Terminal.
- Extensive upgrade-possibilities, yet easily operated.
- Full control of the sprayer is done via this screen.
- Optional: an integrated GPS for automatic section control.
- Very robust screen, with dustproof buttons.
- Terminal can be used to control other ISOBUS-machines.
- Terminal is ready for Precision farming.
- Many upgrade-possibilities:
  - Variable rate via cartography
  - GPS
  - ...



### **COMFORT-Terminal**

- High quality ISOBUS-Terminal.
- Thanks to the large screen (26 cm diagonally) everything remains clearly visible.
- Extensive upgrade possibilities yet easy to control.
- Full control of the sprayer is done via this screen.
- Optional: an integrated GPS for automatic section control.
- Very robust screen, with dustproof buttons.
- Terminal can be used to control other ISOBUS-machines.
- Terminal is ready for Precision farming.
- Many upgrade-possibilities:
  - Variable rate via cartography
  - GPS
  - ...



### **Multi-functional joystick**

The joystick is standard on ISOBUS machines. Thanks to this user-friendly joystick, the driver can pay more attention to the work ahead.

The joystick can be handled with ease.

With the aid of a switch on the side, the number of functions is tripled. Thus, it is possible to operate all common spray functions with the joystick. This way, the driver doesn't constantly have to change the functions through the terminal.

The joystick is robustly built and the buttons have been sealed dustproof.

**!! For optimal ease of use !!**



### Touch screen: Touch 800



- High quality ISOBUS-Terminal.
- Thanks to the large screen (20 cm diagonally) everything remains clearly visible.
- Extensive upgrade possibilities yet easy to control.
- Full control of the sprayer is done via this screen.
- Optional an integrated GPS for automatic section control.
- Very robust screen, with dustproof buttons.
- Terminal can be used to control other ISOBUS-machines.
- Terminal is ready for Precision farming.
- Many upgrade-possibilities:
  - Automatic steering
  - Variable rate via cartography
  - Camera
  - ...

### Touch screen: Touch 1200



- High quality ISOBUS-Terminal.
- Thanks to the large screen (31 cm diagonally) everything remains clearly visible.
- Extensive upgrade possibilities yet easy to control.
- Full control of the sprayer is done via this screen.
- Optional an integrated GPS for automatic section control.
- Very robust screen, with dustproof buttons.
- Terminal can be used to control other ISOBUS-machines.
- Terminal is ready for Precision farming.
- Many upgrade-possibilities:
  - Automatic steering
  - Variable rate via cartography
  - Camera
  - ...





### Distance Control (optional):

- Automatic height adjustment of the spray boom (via the height, balance and variable geometry).
- This system works via 5 sensors:
  - 2 ultrasonic sensors to measure the height of the spray boom: left and right, always on the top lid.
  - 1 sensor mounted on the chassis to measure the angle of the field.
  - 1 sensor on the centre of the spray boom to measure the corner of the spray boom.
  - 1 sensor on the balance cylinder.
- The driver adjusts the working height and the height when turning on the headland. The spray boom will then adjust accordingly to the desired height, by controlling the height cylinder, the balance or the variable geometry.



### Manual command of the spray sections (S-box):

- With a sprayer equipped with ISOBUS, you can only command the sections sequentially (from left to right or from right to left). You can turn off random sections only through a detour.
- However, if you would like to turn off random sections regularly, you better choose the S-box, which is connected directly to the terminal.
- The S-box can easily be installed afterwards.
- Max. 13 sections.
- Special S-box for 13-18 sections.



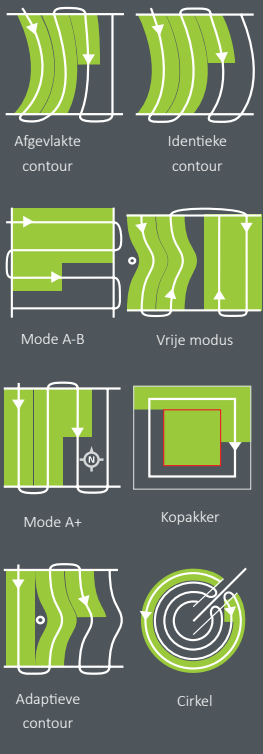
### Automatic section control via satellite

- Thanks to the automatic section closure, unnecessary overlaps can be avoided. The terminal switches the sections itself, so you can spray more comfortably. Outside the field borders, the sections are closed automatically.
- You can drive both on DGPS (20-30 cm) as on RTK (2 cm + other antennae) .
- In combination with TOP-CONTROL, we can close cap by cap ourselves.
- Different spraying possibilities to lay several spray paths.
- Sufficient parameters to personalise the section closure.



# Automatic steering

The automatic steering ensures precision farming by avoiding duplication or shortages, even with poor visibility or bad weather conditions. The automatic steering can be mounted on all touch screens. It relieves the driver of an often exhausting task.



## Automatic steering eSteer With motor on steering wheel



Automatic steering eSteer with motor on the steering wheel is the most cost-efficient automatic steering. The motor on the steering wheel is a quick and easy fix for pre-equipment. The eSteer can also be mounted on many different machines and can be easily moved to another machine. This device is mounted on the existing steering wheel. This compact electric motor controls the steering wheel directly.

## Automatic steering ISO With pre-equipped hydraulic bloc



Automatic steering ISO is the system for precise hydraulic steering for machines that already have a hydraulic bloc for automatic steering. All it takes is to attach the steering computer to the terminal of the tractor. The communication of the components takes place via ISOBUS, which allows the system to be placed in a minimum amount of time.

## Automatic steering With hydraulic bloc



Automatic steering with built-in hydraulic bloc is the most precise automatic steering. This system directly operates the hydraulic steering of the machine, causing it to stay in the spraying swath precisely. This system is ideal for machines that don't have pre-equipped automatic steering, especially when mainly repetitive work needs to be done.



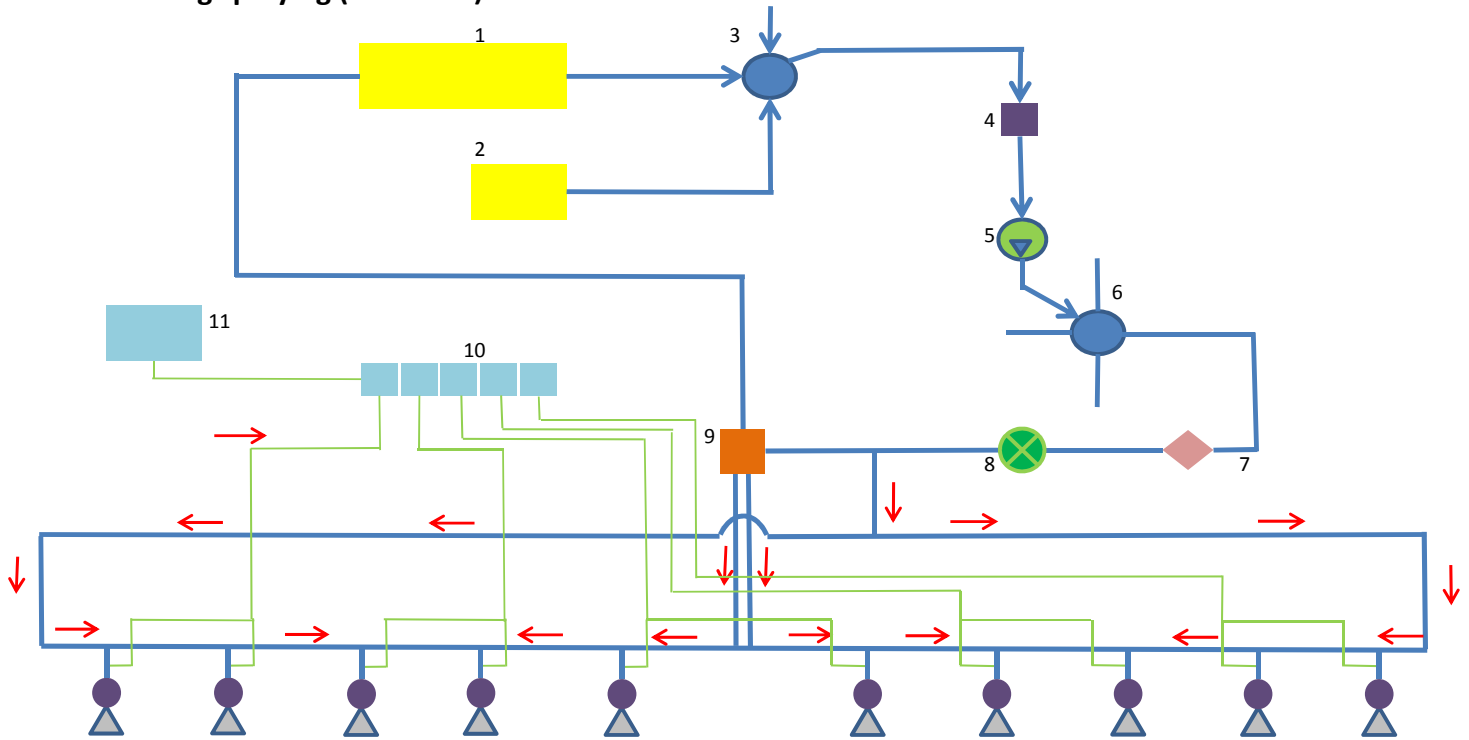
|            | Correction signal | A101 (L1) | AG-STAR (L1) | SMART-6L (L1/L2) |
|------------|-------------------|-----------|--------------|------------------|
| EGNOS/WAAS | Free              | 20-25 cm  | 20-25 cm     | 15 cm            |
| GL1DE      | Free              | /         | 25 cm        | 15 -18 cm        |
| RTK        | Payed             | /         | /            | 2 cm             |
| Glonass    | Free              | No        | Yes          | Yes              |

For information purposes only, non-binding and subject to alterations / misprints.



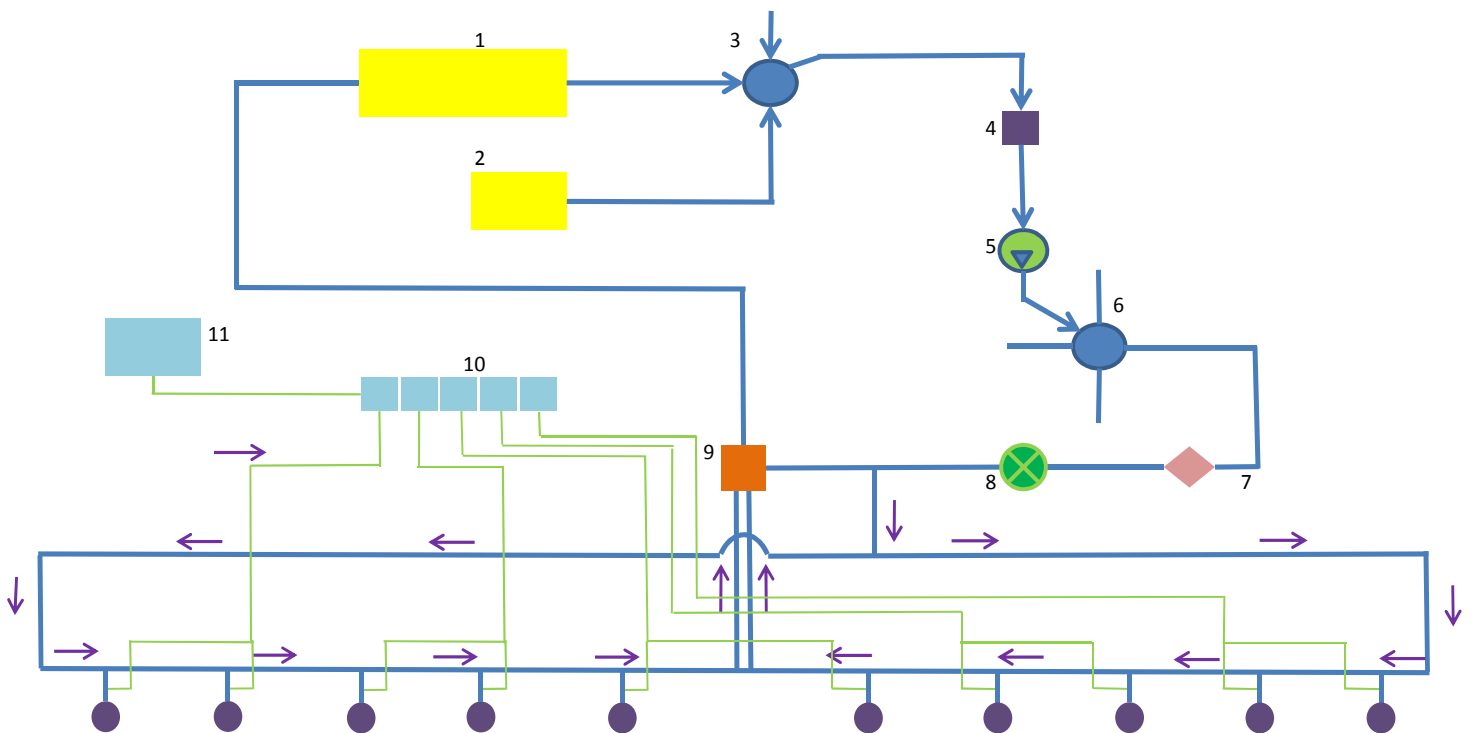
# AIR LOCKABLE CAPS WITH SEMI-CONTINUOUS CIRCULATION

Circuit during spraying (no return)



- |                    |                         |
|--------------------|-------------------------|
| 1 Master tank      | 7 Pressure regulator    |
| 2 Clean water tank | 8 Flow meter            |
| 3 Suction valve    | 9 Main valve            |
| 4 Suction filter   | 10 Section valves (air) |
| 5 Pump             | 11 Air tank             |
| 6 Pressure valve   |                         |

Circuit during not spraying (circulation)





The semi-continuous circulation system ensures a smooth & rapid start without wasting time and chemicals.

Even when you are not spraying, there's circulation in the spraylines: the chemicals go from the tops of the spray boom to the central part and back into the tank. Thanks to this circulation, liquids stay in the spraylines at all times, so there are no depositions, so there are fewer clogged nozzles. The circulation also ensures that pressure is built up very quickly, so you can start spraying immediately after opening the main valve.

The pneumatic nozzle closure with individual air tubes to each individual cap ensures immediate start and stop of the spraying and prevents the nozzles from dripping, even with more pressure and volume of the circulation loop. When spraying, the spray lines are fed to the four sides, twice at the tops and twice in the middle. There is no return to the tank during spraying. This ensures that there are no unnecessary chemicals going through the spray lines.

#### Advantages:

- Quick start after changing chemicals.
- No time wasted on the headland due to waiting for the chemicals reach the spray caps.
- No clogged spray caps, even with low doses.
- No dripping of the spray caps.
- No depositing of chemicals in the spray lines.
- Easy rinsing of the sprayer.
- Saves chemicals, time and money.
- Respects the environment.



Tank with overpressure protection



Air tube per spray nozzle



Compressor behind pump

## TOP-CONTROL: AUTOMATIC CLOSURE (CAP BY CAP)

### BASIC PACKAGE: AIR LOCKABLE SPRAY CAPS

- With TOP-Control it's possible to close off cap by cap automatically instead of per section. This is done automatically by means of GPS.
- Each cap is equipped with an air valve.
- No more duplication, maximum precision!
- You can still turn section by section on/off manually.
- Including system of air lockable caps with semi-continuous circulation (+ compressor).
- Machine must be equipped with ISOBUS.





# VARIO SELECT



In combination with the air lockable caps, an automatic system for the selection of the right cap.

## **Vario Select**

- Automatic selection of the cap, over the full width of the spray boom.
- Choice of cap depending on the speed necessary to obtain an ideal spraying pressure.
- Possible to operate 2, 3 or 4 caps. With SPRAY-Control S or ISOBUS.

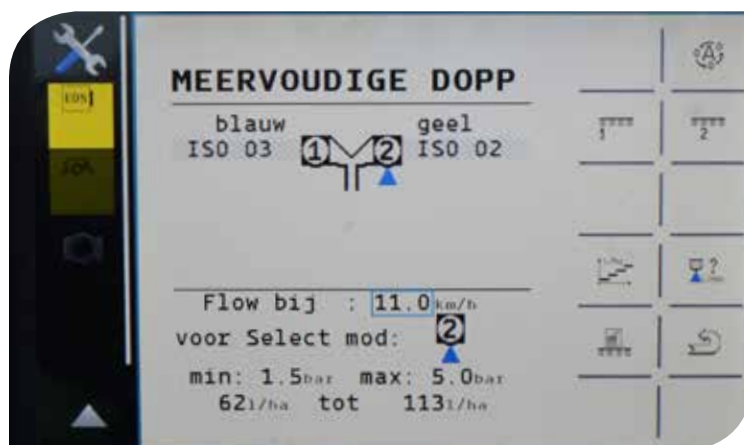
## **Vario Select Plus**

- Automatic choice of cap, section per section.
- Choice of cap depending on the speed necessary to obtain an ideal spraying pressure and also to adjust variable doses (Variable Rate Control)
- Possible to operate 2 or 4 caps. With ISOBUS.

## **Vario Select Top**

- Automatic choice of cap, cap per cap in combination with TOP-Control.
- Choice of cap, depending on the speed to obtain an ideal spraying pressure and also to adjust variable doses (Variable Rate Control).
- Possible to operate 2 or 4 caps. With ISOBUS.

For more information, feel free to contact us anytime. We are happy to help.



Control via ISOBUS screen, automatic selection between 2 nozzles, ISO 02 et ISO 03.



# METEO STATION

## Advantages:

- Works on all ISOBUS-displays.
- The weather circumstances are being documented via ISOBUS Task-Controller.
- Delivers field-specific information in the cabine.
- Supports on-the-go application decisions.
- Configurable alarm for specific weather conditions.

## Details:

Müller Elektronik's Meteo Station is the first ISOBUS meteo station on the market. It works on all AEF-certified ISOBUS displays, that meet the ISOBUS 11783 requirement.

No other sensor can house all these functions in one compact casing.

The instrument informs you immediately of the changes in the weather conditions: wind speed & direction, humidity, pressure, temperature and evaporation rates. Whenever needed, weather conditions can be stored for documentation purposes by the ISOBUS Task Controller.

The wind speed and direction are measured using four ultrasonic transducers (converters). The internal GPS engine and the three-axis compass semi-conductors make it possible to specify both the apparent and actual wind speed and direction without the need to add additional sensors. The internal temperature and pressure sensors help predict changing weather patterns.



## Characteristics:

- AEF certified
- Display
  - Actual wind speed & direction
  - Apparent wind speed & direction
  - Barometric pressure
  - Temperature
  - Humidity



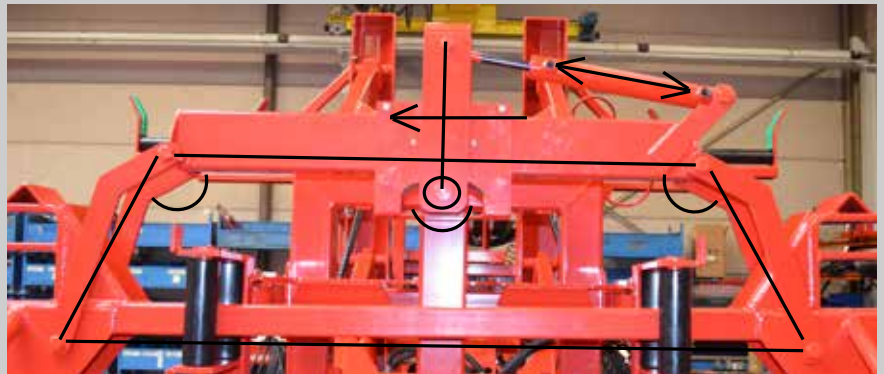
# SUSPENSION BEYNE SPRAY BOOM



## Anti-oscillation

The suspension of the boom is obtained by the following points:

1. The boom is suspended by 1 central point. This point rests on a curved conduction, which makes the boom return to the same center point each time.
2. Due to the trapezium suspension, the spray boom can also move lateral, which guarantees that shocks won't cause oscillation. The spray boom stays horizontal and will make gentle, lateral movements.
3. On the central point rests a sliding bar, guided by Ertalon rolls. By controlling the cylinder, the center of gravity of the spray boom can be moved, which allows the spray boom to tilt to both sides, without blocking.



## Anti-wagging

1. During wagging, the spray boom hinges on 1 point.
2. Both with parallelogram-suspension as with mast-suspension, silentblocs were placed between the chassis and the spray boom to prevent wagging.
3. Due to the absorption of the silentblocs, the shocks of the tractor aren't passed on to the spray boom, which results in a very stable spray boom.



The guiding of the moving parts is done by Ertalon rolls. This is a strong and durable material which doesn't damage the spray boom.



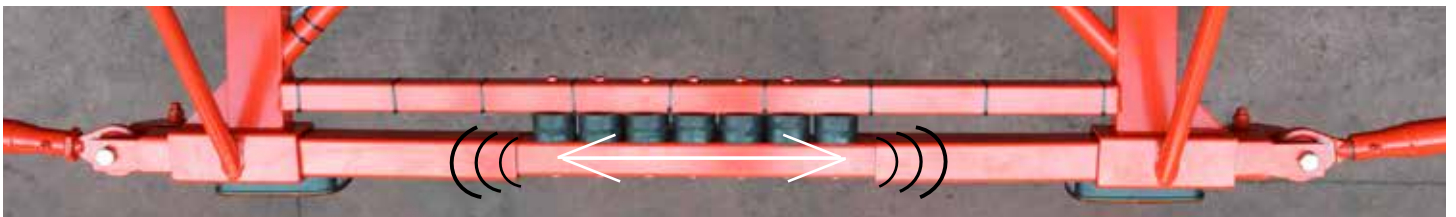




## STRUTS & LOCKING HOOKS

### The spray boom stays straight thanks to struts:

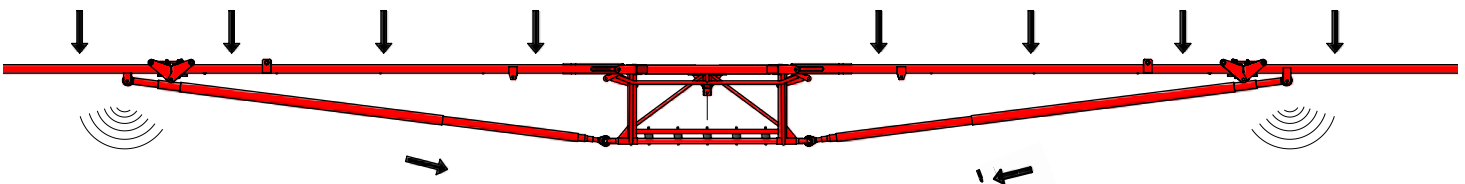
- The struts connect the 2nd segment to the right with the 2nd segment to the left of the spray boom.
- When swaying, the forces are evenly distributed on the entire spray boom which keeps the spray boom straight.
- The insertions tubes are designed so that the spray boom doesn't break due to large forces, instead they bend.
- After years of intensive use, the spray boom remains straight thanks to several points where the spray boom can be adjusted.



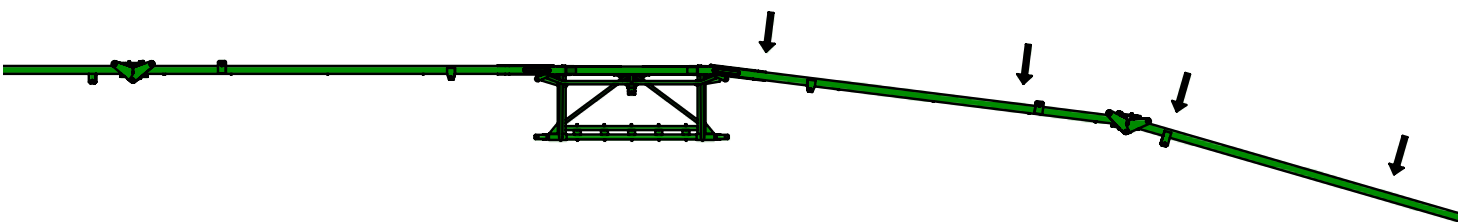
The shocks are absorbed in the central part due to the qualitative silentblocs made out of natural rubber.



## Beyne spray boom



## Spray boom without struts or locking hooks



### Locking of the spray boom

- Between the 1st and 2nd segment and the top end, there are locking hooks.
- These locking hooks prevent that the forces of sway movements influence the hydraulic cylinders, so they won't break.
- The locking hooks click into full RVS-axes which are excentric. If after some time some wear would occur, these axes can be adjusted, so the boom remains tight always.
- The locking hooks are hydraulically controlled, as well as the opening and closing of the spray boom.
- The locking hooks are equipped with grease nipples, like all other hinge points.







## ALUMINIUM - STEEL SPRAY BOOM

### 36-39-40-42 m

- The spray booms with working width from 36 m are made partly out of aluminium.
- The central part and the 1st segment left and right are made out of high-grade steel and the top ends are made out of special aluminium profiles.
- This creates an ideal combination of strength at the beginning of the spray boom (where most of the torsion appears) and the outer ends (which is much lighter but still strong).
- Due to the combination of high-grade steel and our specially developed aluminium spray boom, we can offer a very sturdy spray boom with a limited weight.
- All aluminium parts receive the same paint treatment as the rest of the spray boom.



### Hinge points

All hinge points consist of full RVS-axes, containing sintered bronze hinges and equipped by easy to reach grease nipples.





# TRACK FOLLOWING: PROPORTIONAL STEERING, WHEEL STEERING, DRAWBAR



## **Drawbar on PLK en COBRA (upper assembly)**

- The models PLK and COBRA are equipped with tiller steering, which works both in automatic as manual modus as well as with automatic zeroing.
- These models remain compact thanks to the drawbar.
- The pivot of the sprayer is located exactly in the middle between the tractor's rear axle and the rear of the sprayer, which guarantees correct track following.
- The drawbar is adjustable in length and height to fit on any tractor.
- The articulation joint is equipped with bronze bushings for long life.
- Two hydraulic cylinders are used for optimal results.
- The position is determined by a potentiometer and two sensors.



## **Proportional steering (only with ISOBUS or ECO)**

- With proportional steering, it's the ISOBUS-computer which controls the hydraulic system. In combination with a proportional valve, a highly accurate track following can be obtained.
- This steering also takes into account the different turning speeds at all times, which results in a quiet, "less aggressive" track following.
- A gyroscope (electronic compass) measures the position of the tractor relative to the sprayer, and gives a signal when and how to steer.
- Proportional steering is an option with PLK and COBRA and only in combination with ISOBUS or ECO.
- The steering of the PYTHON is standard already proportionally.



## **Wheel steering (optional with Python)**

- The model Python can be equipped with wheel steering and can be controlled both manually as automatically, as well as with automatic zeroing.
- The steering is operated by means a gyroscope (electronic compass). This allows for a correct track following.
- This control system is proportional and thus acts in function of the turning speed of the tractor.
- With wheel steering the spray boom stays calmer during steering.
- The steering axle has been adapted especially to be able to turn real short. Track width and tire size remain crucial for maximum turning angle.



# AUTOMATIC AXLE SUSPENSION AND TILLER SUSPENSION



## Automatics axle suspension (hydropneumatic)

- We can offer all our trailed sprayers with a suspended axle.
- This suspension works by means of hydraulic cylinders, that work on nitrogen accumulators.
- An electronic control ensures that the suspension works great with a full tank, as well as with an empty tank.
- A sensor screens for the middle of the cylinder, so the suspension remains at max.
- Both of these cylinders operate simultaneously, so that no extra swinging movements are passed on to the spray boom.
- You can operate the suspension manually as well as automatically.



**With tiller suspension**

## Tiller suspension (hydropneumatic)

- On the Python, there's an option to equip the tiller with a hydropneumatic suspension.
- The control happens manually via the control unit of the tractor.
- In combination with the axle suspension, the sprayer is now fully suspended, which makes for a very comfortable handling.
- The drawbar for Python is for lower assembly only. The operation happens manually by means of the control unit of the tractor.



**Without tiller suspension**

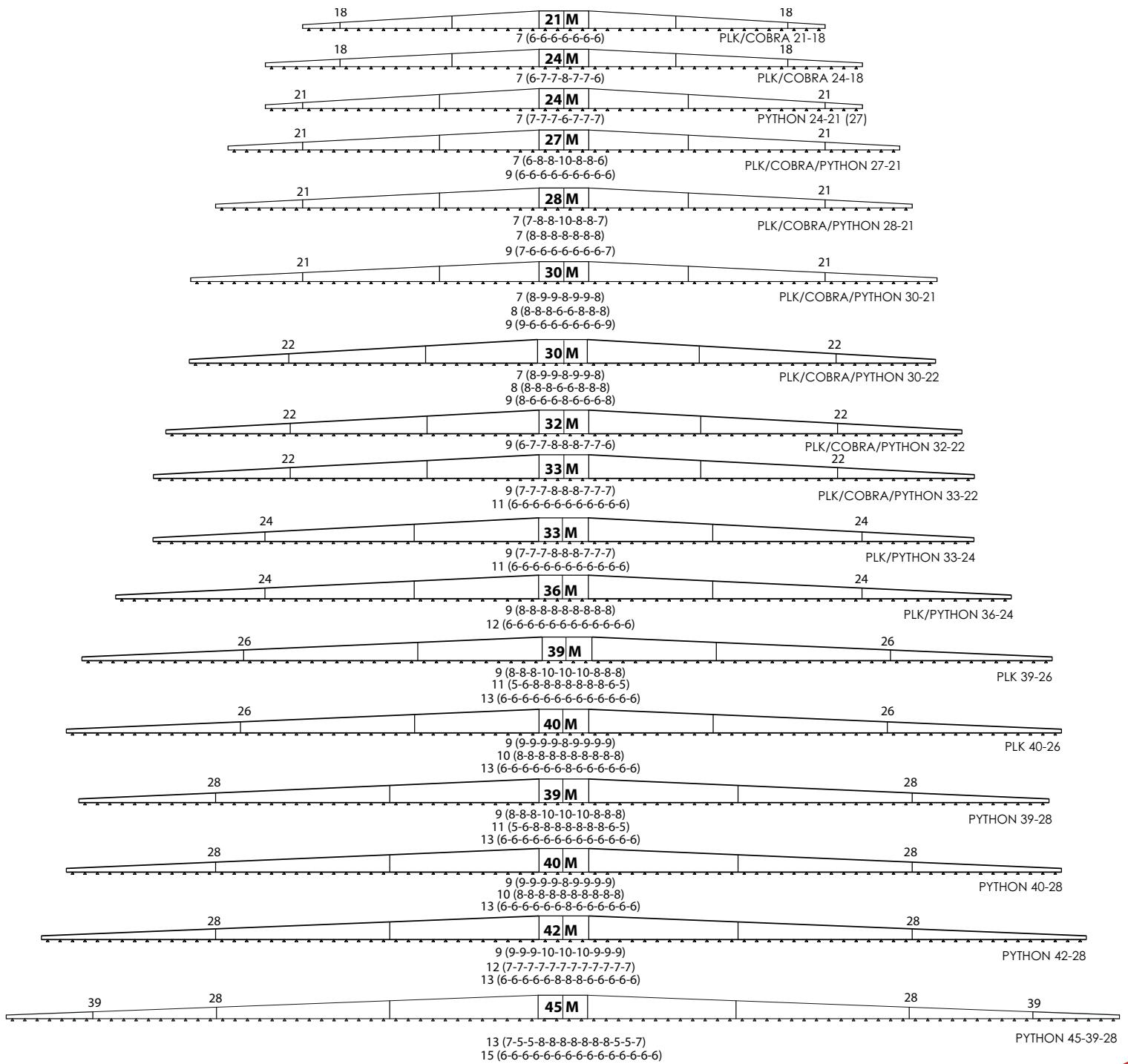


## TECHNICAL INFORMATION: DIMENSIONS & WEIGHTS

| <b>PLK 2500</b>         | <b>Width<br/>(mm)</b> | <b>Height<br/>(mm)</b> | <b>Length<br/>(mm)</b> | <b>Weight<br/>(kg)</b> |
|-------------------------|-----------------------|------------------------|------------------------|------------------------|
| 21-24                   | 2600                  | 3600                   | 6100                   | 3250                   |
| 27-28-30                | 2550                  | 3500                   | 6300                   | 3380                   |
| <b>PLK 3500</b>         |                       |                        |                        |                        |
| 21-24                   | 2600                  | 3600                   | 6500                   | 3400                   |
| 27-28-30                | 2550                  | 3500                   | 6700                   | 3530                   |
| 30-33                   | 2750                  | 3600                   | 7200                   | 4600                   |
| 36                      | 2800                  | 3600                   | 7650                   | 4900                   |
| 39-40                   | 2800                  | 3600                   | 8650                   | 5000                   |
| <b>PLK 4200</b>         |                       |                        |                        |                        |
| 27-28-30                | 2550                  | 3500                   | 8600                   | 4450                   |
| 30-33                   | 2750                  | 3600                   | 8600                   | 5050                   |
| 36                      | 2800                  | 3600                   | 8600                   | 5250                   |
| 39-40                   | 2800                  | 3600                   | 8700                   | 5350                   |
| <b>Cobra 3500</b>       |                       |                        |                        |                        |
| 21-24                   | 2600                  | 3800                   | 6750                   | 3670                   |
| 27-28-30                | 2550                  | 3700                   | 6950                   | 3800                   |
| 30-33                   | 2750                  | 3900                   | 7005                   | 4400                   |
| <b>Python 2500-3000</b> |                       |                        |                        |                        |
| 24-27-28-30             | 2550                  | 3350                   | 7850                   | 4400                   |
| 30-33                   | 2750                  | 3550                   | 7850                   | 4700                   |
| <b>Python 3600-4200</b> |                       |                        |                        |                        |
| 24-27-28-30             | 2550                  | 3350                   | 8150                   | 4550                   |
| 30-33                   | 2750                  | 3550                   | 8150                   | 4850                   |
| 36                      | 2800                  | 3600                   | 8150                   | 5050                   |
| 39-40-42                | 2800                  | 3650                   | 8150                   | 5150                   |
| 45                      | 2800                  | 3650                   | 8150                   | 5250                   |
| <b>Python 5200-6000</b> |                       |                        |                        |                        |
| 30-33                   | 2750                  | 3550                   | 8900                   | 5150                   |
| 36                      | 2800                  | 3600                   | 8900                   | 5350                   |
| 39-40-42                | 2800                  | 3650                   | 8900                   | 5450                   |
| 45                      | 2800                  | 3650                   | 8900                   | 5550                   |



# SPRAY BOOMS OF TRAILED SPRAYERS







Your dealer:

Beyne

